

# ARRI AMIRA Multicam – Remote Control of Multiple AMIRAS for Live TV

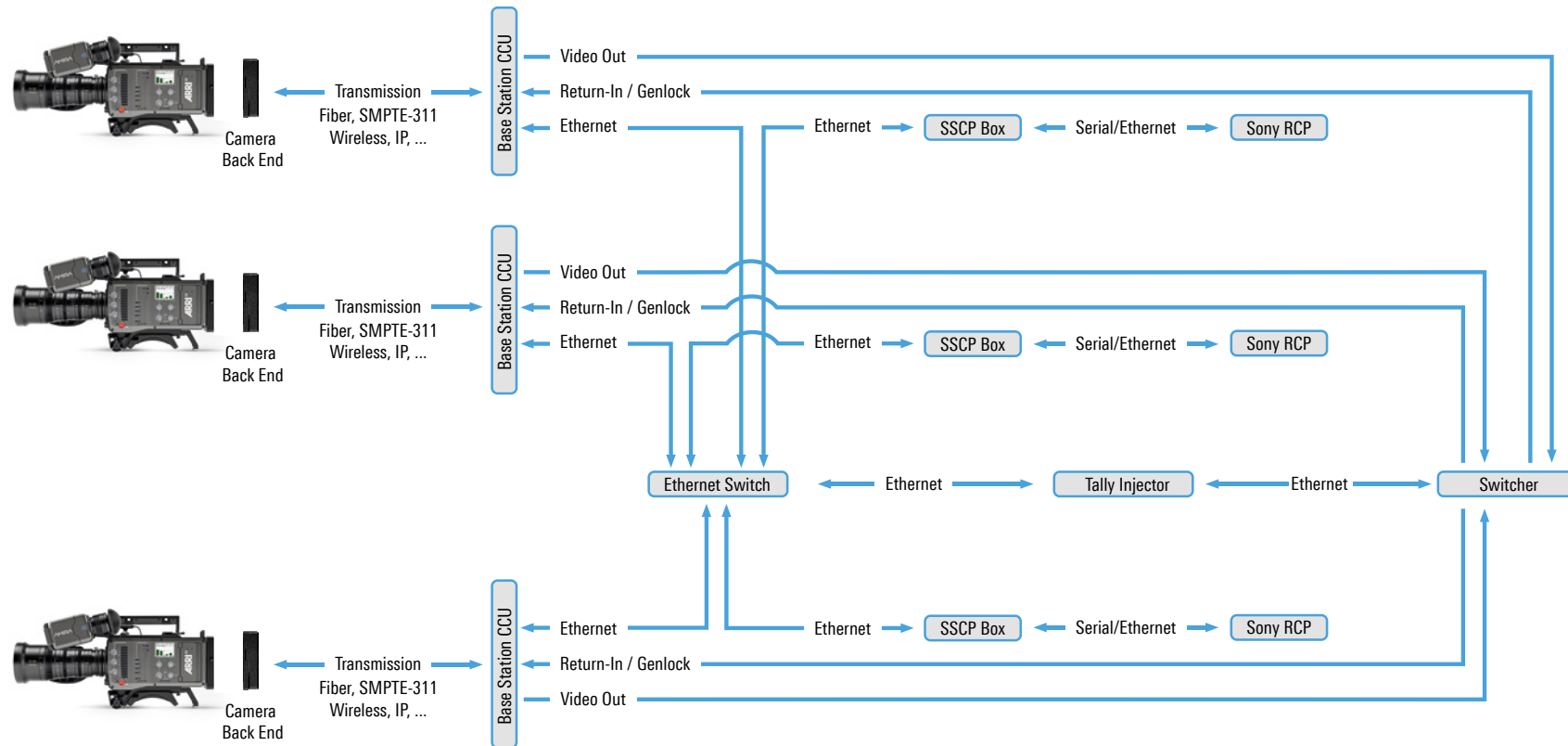


The AMIRA in Multicam mode provides the exceptional image quality of ARRI's ALEV III sensor – also used by ALEXA – and makes that available to productions within the broadcast multi-camera environment. Through a Multicam setup, the AMIRA's shallow depth of field, unrivalled dynamic range and natural colorimetry can lend a cinematic look to live broadcasts, music concerts, TV soaps and other fast-paced, multi-camera productions.

At its core, Multicam is a simple and flexible interface that can be used with virtually any transmission system required. It allows the image parameters of multiple AMIRA cameras to be adjusted & matched and the iris remote controlled, using a Sony RCP (Remote Control Panel).

With AMIRA SUP 5.0 another big Multicam feature is the dual 6G UHD-SDI support, which improves the cameras' SDI output data rate sufficiently to allow external 4K UHD transmission at frame rates of 50 or 60 fps.

AMIRA Multicam was designed from the outset to be as open and flexible an interface can be. While the DTS components will suit many users, others may prefer to go with a different fiber solution, or a wireless radio transmission system.



# ARRI AMIRA Multicam – DTS Multicam Setup

